

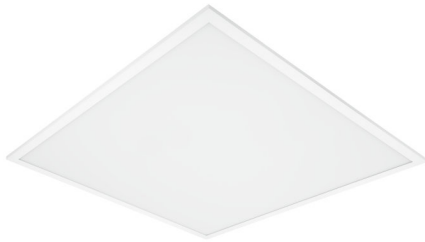


# PRODUCT DATASHEET

## LED PANEL 60\*60 | 48W

### STORMLED™ BACKLIGHT PANEL

---



#### AREAS OF APPLICATION

- Offices
- Retail
- Hospitals
- Recreational facilities



ENERGY SAVING



30,000 Lifespan



Anti-Glare

---

#### PRODUCT BENEFITS

- Low maintenance and operation costs due to long lifetime of LED
- Slim aluminum housing and matt white frame
- Edge-lit with LCD backlight technology
- High efficiency and reliability
- Polycarbonate lens for anti-glare effect and high lumen efficiency.

---

#### PRODUCT FEATURES

- Size: 595 x 595 mm
- High system efficiency: up to 100-110 lm/W
- Available with color temperature: 3,000°K, 4,000°K, 6,500°K
- Color rendering index  $R_a: \geq 80$
- Power factor:  $> 0.5$
- Long lifetime: up to 30,000 h

## TECHNICAL DATA

### Electrical data

<b>Nominal wattage</b>	48W
<b>Nominal voltage</b>	100...277 V
<b>Power factor</b>	> 0.5
<b>Mains frequency</b>	50/60 Hz

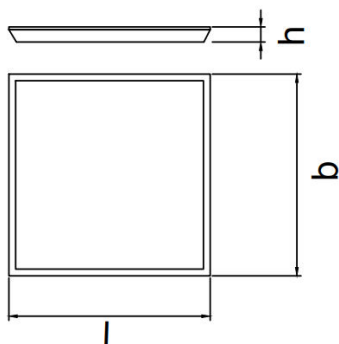
### Photometrical data

<b>Color temperature</b>	3000°K, 4000°K & 6500°K
<b>Luminous flux</b>	4800 lm
<b>Luminous efficacy</b>	100-110 lm/W
<b>Standard deviation of color matching</b>	≤ 5 SDCM
<b>Light color (designation)</b>	Warm White, Daylight & Cool White
<b>Color rendering index Ra</b>	80

### Light technical data

<b>Beam angle</b>	120 °
-------------------	-------

### Dimensions & weight



<b>Length</b>	595 mm
<b>Width</b>	595 mm
<b>Height</b>	25 mm
<b>Product weight</b>	2710.00 g

### Colors & materials

<b>Body material</b>	Aluminum
<b>Housing color</b>	White
<b>Product color</b>	White

## Temperatures &amp; operating conditions

<b>Ambient temperature</b>	+40 °C
----------------------------	--------

## Lifespan

<b>Number of switching cycles</b>	30000
-----------------------------------	-------

## Additional product data

<b>Mounting type</b>	Recessed
<b>Mounting location</b>	Ceiling

## Capabilities

<b>Dimmable</b>	No
<b>LED module replaceable</b>	Replaceable

## Certificates &amp; standards

<b>Protection class</b>	I
<b>Type of protection</b>	IP20

---

**EQUIPMENT / ACCESSORIES**

- For recessed mounting (surface or pendant mounting requires mounting accessories)
-