



Product Datasheet

LED Street Luminaire

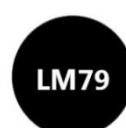


Areas of applications

- Local Roads.
 - Express Roads.
 - Town Roads.
 - Residential Area Roads.
 - Pedestrian crossings.
 - Parking areas.
-

Product Features

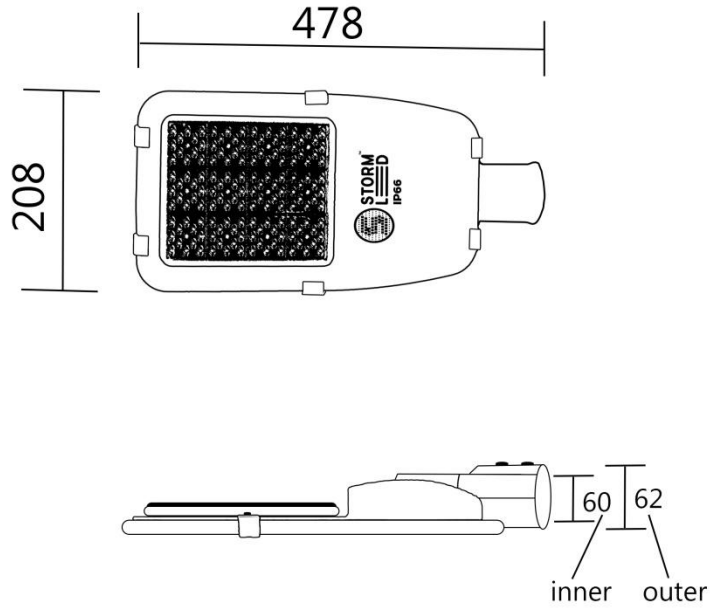
- Luminaire efficacy up to 130 Lm/W.
 - Life time 50 K hours (L80).
 - Class I Protection.
 - Ingress of Protection: IP66.
 - Failure rate less than 10%
-



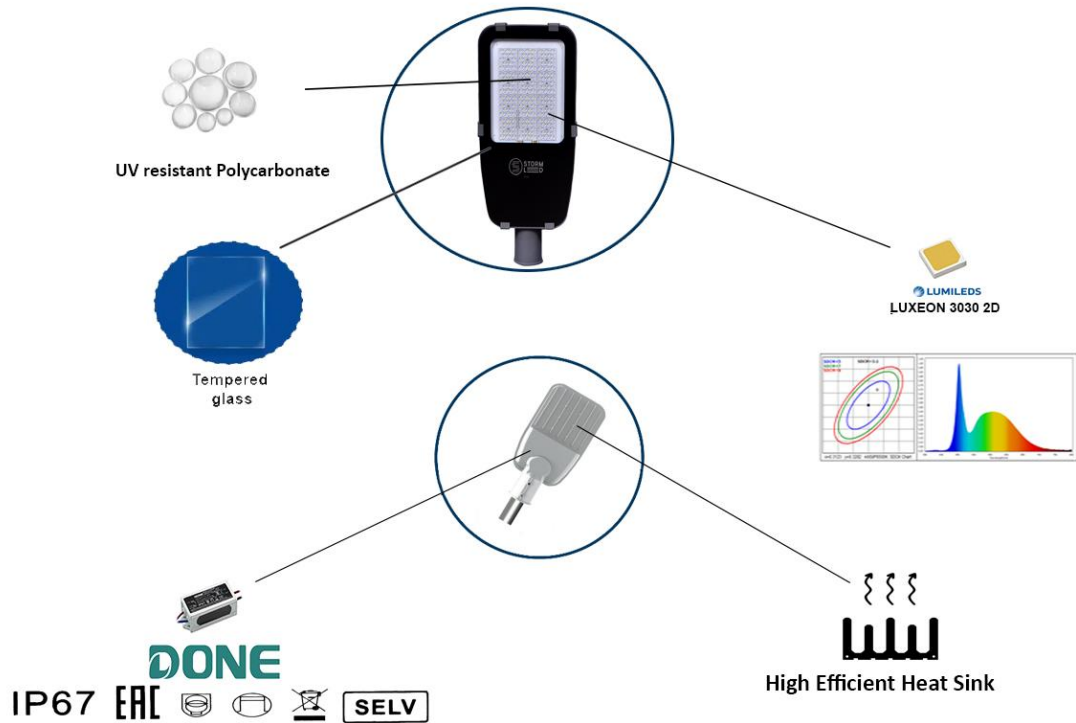
Technical Data

Manufacture	AL HODA Electric (Storm LED)
Input Power	50 /60 W
Input Voltage Range	100 – 277 V
Power Factor	>=0.97
Input Current	< 0.7 A
Total Harmonic Distortion (THD)	<=10%
Frequency Range	47-63 HZ
Driver	DONE LED Driver
Driver Efficiency	90%
Luminaire Efficacy	120 ~ 130 Lm/W
LED Type -Efficiency	Lumileds – 170 Lm/W
Output Lumen	50 W – 6000 ~6500 Lm 60 W – 7200~7800 Lm 75W – 9000~9750 Lm
Color Rendering Index (CRI)	Ra>=80%
Color Temperature (CCT)	5000 K – 6500 K
SDCM	1-3 Steps
Beam Angle	120° X 60°
Ambient Temperature&Humidity	-5°C to 45°C 10% to 90%
Protection	Over Voltage Protection Under Voltage Protection Over Load Protection Surge Protection 6 KV Over Temperature Protection
Ingress of Protection	IP66
Fixture Weight	2.535 Kg
Order	SOM-SL-PL-01-50W SOM-SL-PL-01-60W SOM-SL-PL-01-75W

Dimensions



SOM-SL-PL-01-50/60/75W



Contact US

- **Alhoda Electric Factory and administration building.**

Block IXQ, Third Industrial zone A1, 10th of Ramadan, Sharqia, Egypt.

Tel: +20 55 4411096

Fax: +5 (5) 441 0734

Customer Service: +2 (0) 106 567 7999

+2 (0) 100 767 0179

+2 (0) 106 016 6689

+2 (0) 105 086 1336

Email: sales@stormelectric.org

- **Our showroom:**

Egyptian center 1, Exhibition 58, Jordanian square, 10th of Ramadan, Sharqia, Egypt.

Tel: +5 (5) 436 1394

Customer Service: +20 100 666 1498

+20 102 287 3111

Email: sales@stormelectric.org



<http://www.facebook.com/StormElectricEg>



<http://www.linkedin.com/company/70401773/>



<http://www.instagram.com/stormelectriceg/>