



Product Datasheet

LED Flood-Light Luminaire



Areas of applications

- Clubs, hotels, stages.
- Facades.
- Mosques, museums.
- Outdoor Applications.

Product Features

- Luminaire efficacy up to 130 Lm/W.
- Life time 50 K hours (L80).
- Class I Protection.
- Ingress of Protection: IP66.
- Failure rate less than 10%

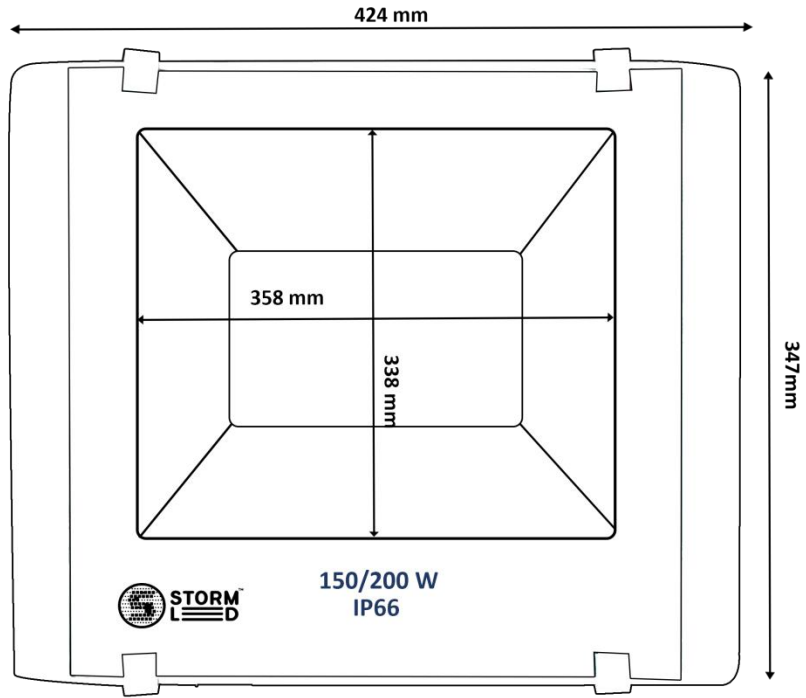


Technical Data

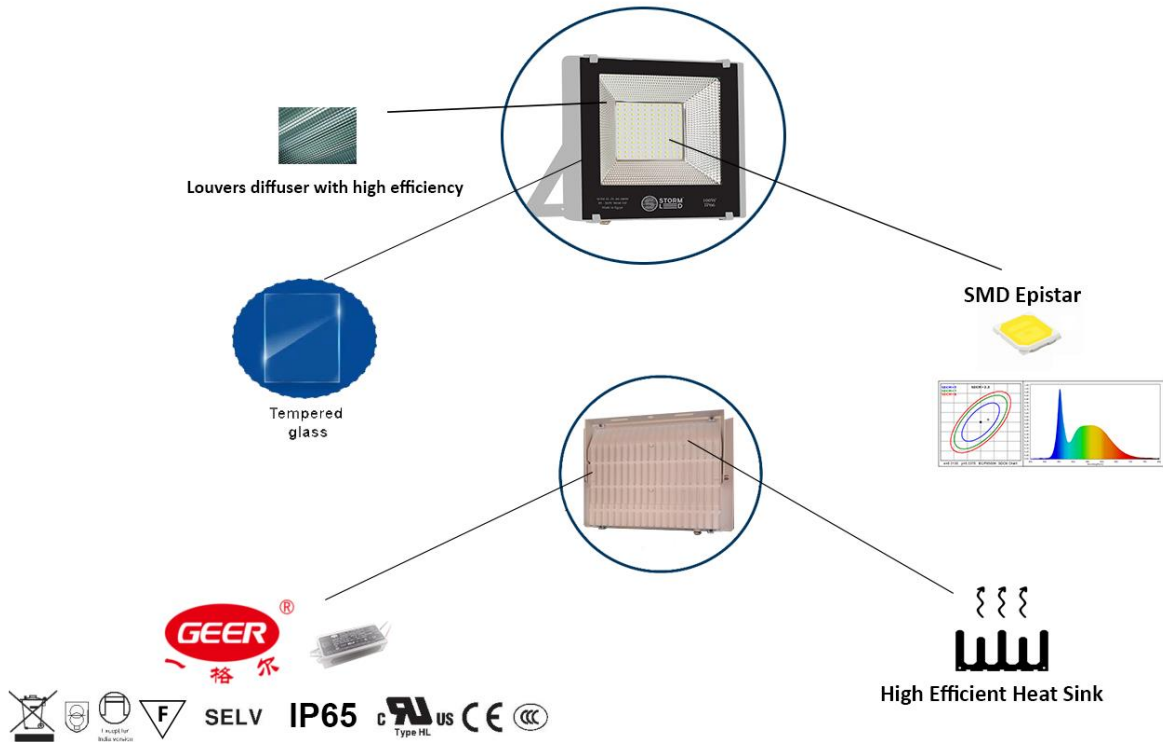
| | |
|---------------------------------|--|
| Manufacture | AL HODA Electric (Storm LED) |
| Input Power | 200 W |
| Input Voltage Range | 85 – 277 V |
| Power Factor | >=0.97 |
| Input Current | < 1 A |
| Total Harmonic Distortion (THD) | <=10% |
| Frequency Range | 50-60 HZ |
| Driver | Gear LED Driver |
| Driver Efficiency | 90% |
| Luminaire Efficacy | 125 ~ 135 Lm/W |
| LED Type | Epistar 2835 |
| Output Lumen | 25000~2700 LM |
| Color Rendering Index (CRI) | Ra>=75% |
| Color Temperature (CCT) | 6500° K |
| SDCM | 1-3 Steps |
| Beam Angle | 120° |
| Ambient Temperature&Humidity | -30°C to 55°C 20% to 95% |
| Protection | Over Voltage Protection Under Voltage Protection Over Load Protection Surge Protection 6 KV Over Temperature Protection |
| Ingress of Protection | IP66 |
| Fixture Weight | 3.85 Kg |
| Order | SOM-SL-FL-010-200W |

All values typical unless otherwise stated (tolerance +/- 5%) @25°C

Dimensions



SOM-SL-FL-010-200W



Contact US

- **Alhoda Electric Factory and administration building.**

Block IXQ, Third Industrial zone A1, 10th of Ramadan, Sharqia, Egypt.

Tel: +20 55 4411096

Fax: +5 (5) 441 0734

Customer Service: +2 (0) 106 567 7999

+2 (0) 100 767 0179

+2 (0) 106 016 6689

+2 (0) 105 086 1336

Email: sales@stormelectric.org

- **Our showroom:**

Egyptian center 1, Exhibition 58, Jordanian square, 10th of Ramadan, Sharqia, Egypt.

Tel: +5 (5) 436 1394

Customer Service: +20 100 666 1498

+20 102 287 3111

Email: sales@stormelectric.org



<http://www.facebook.com/StormElectricEg>



<http://www.linkedin.com/company/70401773/>



<http://www.instagram.com/stormelectriceg/>