

# Product Datasheet

## LED Street Luminaire



### Areas of applications

- Local Roads.
- Express Roads.
- Town Roads.
- Residential Area Roads.
- Pedestrian crossings.
- Parking areas.

### Product Features

- Luminaire efficacy up to 130 Lm/W.
- Life time 50 K hours (L80).
- Class I Protection.
- Ingress of Protection: IP66.
- Failure rate less than 10%

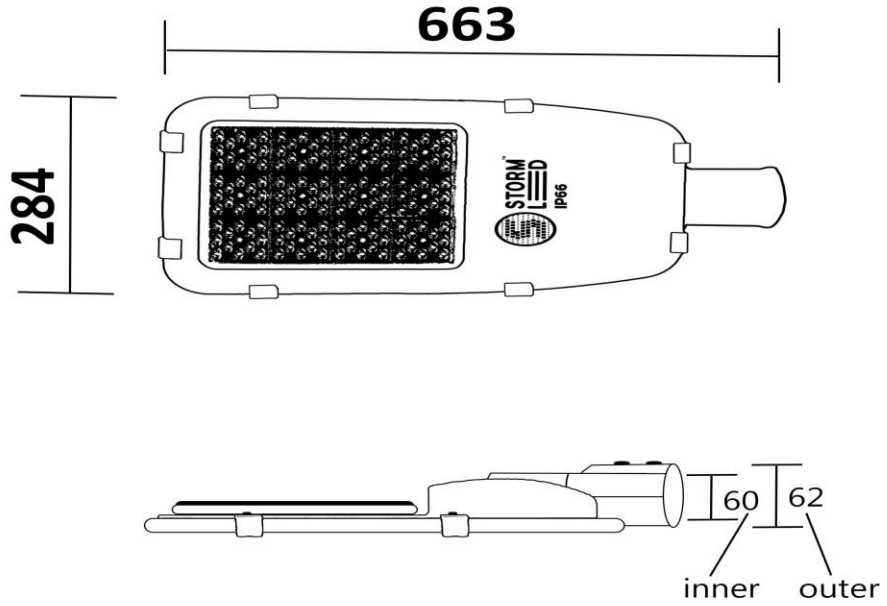


## Technical Data

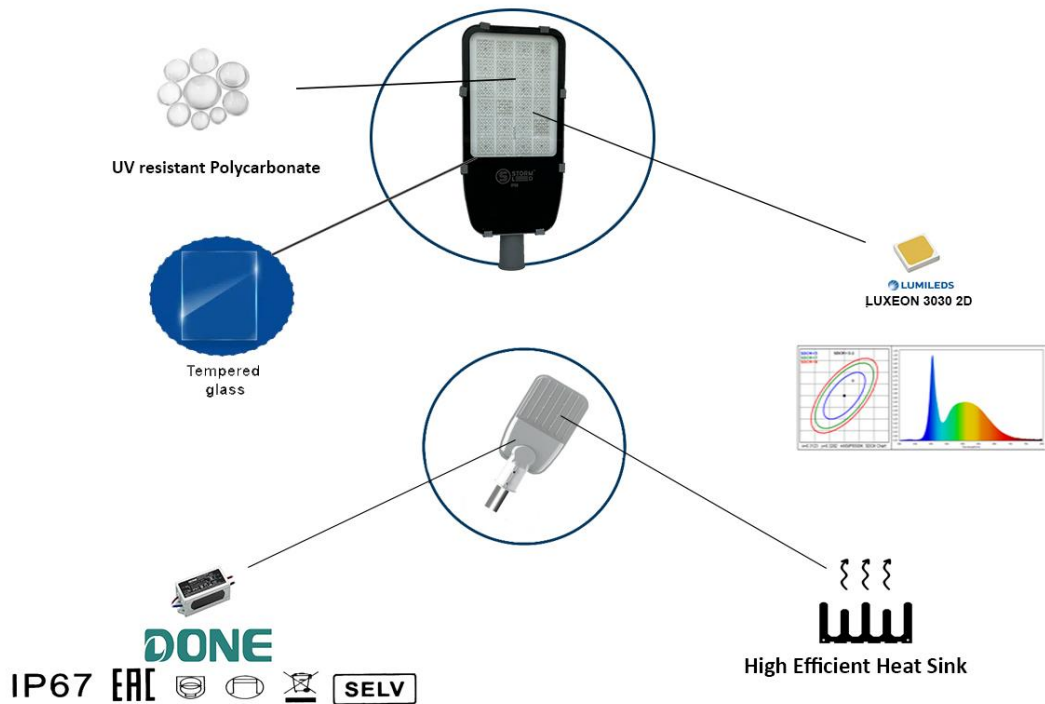
|                                 |  |
|---------------------------------|--|
| Manufacture                     | <b>AL HODA Electric ( Storm LED )</b>  |
| Input Power                     | <b>150 W</b>   |
| Input Voltage Range             | <b>100 – 277 V</b>   |
| Power Factor                    | <b>&gt;=0.97</b>   |
| Input Current                   | <b>&lt; 1 A</b>  |
| Total Harmonic Distortion (THD) | <b>&lt;=10%</b>  |
| Frequency Range                 | <b>47-63 HZ</b>  |
| Driver                          | <b>DONE LED Driver</b>   |
| Driver Efficiency               | <b>90%</b>   |
| Luminaire Efficacy              | <b>120 ~ 130 Lm/W</b>  |
| LED Type -Efficiency            | <b>Lumileds – 170 Lm/W</b>   |
| Output Lumen                    | <b>18000~19500 LM</b>  |
| Color Rendering Index (CRI)     | <b>Ra&gt;=80%</b>  |
| Color Temperature (CCT)         | <b>5000 K – 6500 K</b>   |
| SDCM                            | <b>1-3 Steps</b>   |
| Beam Angle                      | <b>120° X 60°</b>  |
| Ambient Temperature&Humidity    | <b>-5°C to 45°C<br/>10% to 90%</b>   |
| Protection                      | <b>Over Voltage Protection<br/>Under Voltage Protection<br/>Over Load Protection<br/>Surge Protection 6 KV<br/>Over Temperature Protection</b> |
| Ingress of Protection           | <b>IP66</b>  |
| Fixture Weight                  | <b>4.2 Kg</b>  |
| Order                           | <b>SOM-SL-PL-03-150W</b>   |

All values typical unless otherwise stated (tolerance +/- 5%) @25°C

# Dimensions



## SOM-SL-PL-03-150W



## Contact US

- **Alhoda Electric Factory and administration building.**

Block IXQ, Third Industrial zone A1, 10<sup>th</sup> of Ramadan, Sharqia, Egypt.

**Tel: +20 55 4411096**

**Fax: +5 (5) 441 0734**

**Customer Service: +2 (0) 106 567 7999**

**+2 (0) 100 767 0179**

**+2 (0) 106 016 6689**

**+2 (0) 105 086 1336**

**Email: [sales@stormelectric.org](mailto:sales@stormelectric.org)**

- **Our showroom:**

Egyptian center 1, Exhibition 58, Jordanian square, 10<sup>th</sup> of Ramadan, Sharqia, Egypt.

**Tel: +5 (5) 436 1394**

**Customer Service: +20 100 666 1498**

**+20 102 287 3111**

**Email: [sales@stormelectric.org](mailto:sales@stormelectric.org)**



**<http://www.facebook.com/StormElectricEg>**



**<http://www.linkedin.com/company/70401773/>**



**<http://www.instagram.com/stormelectriceg/>**